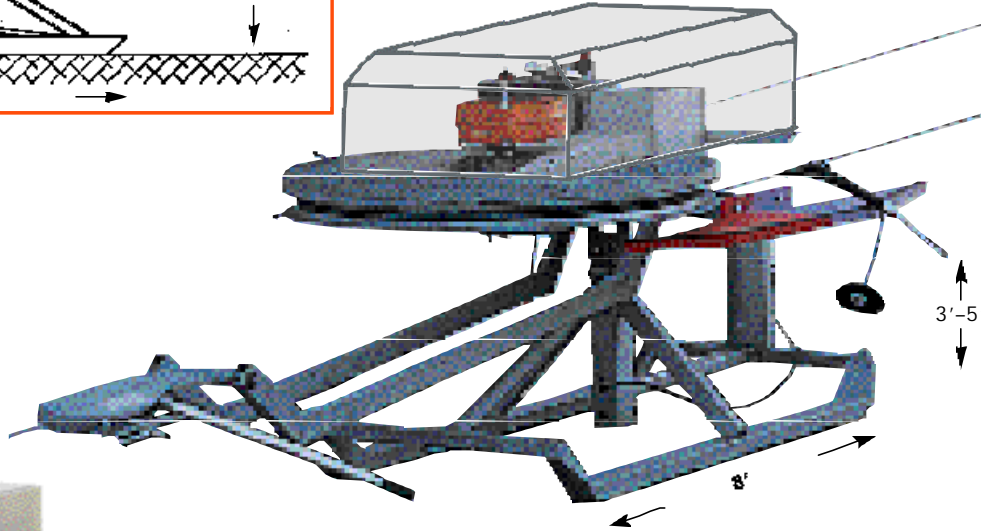
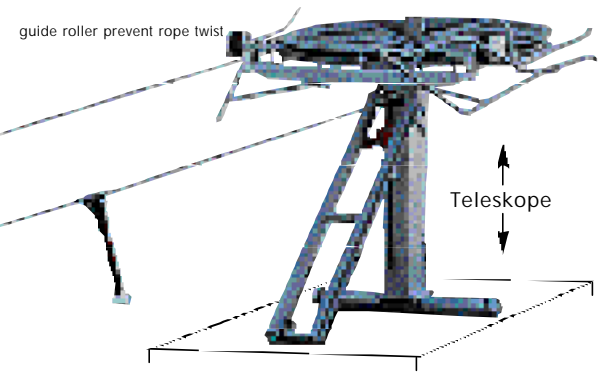
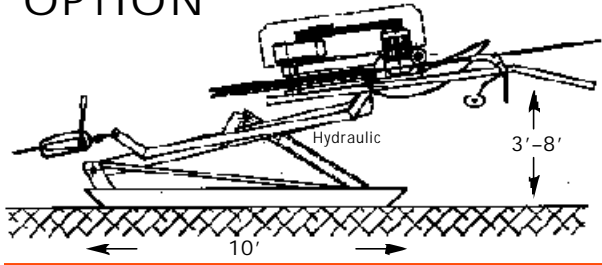
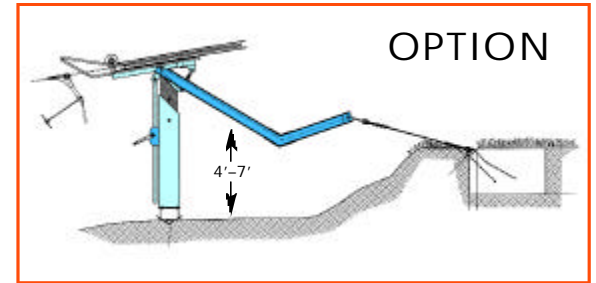
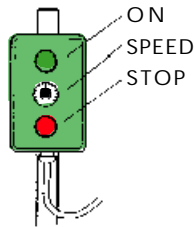


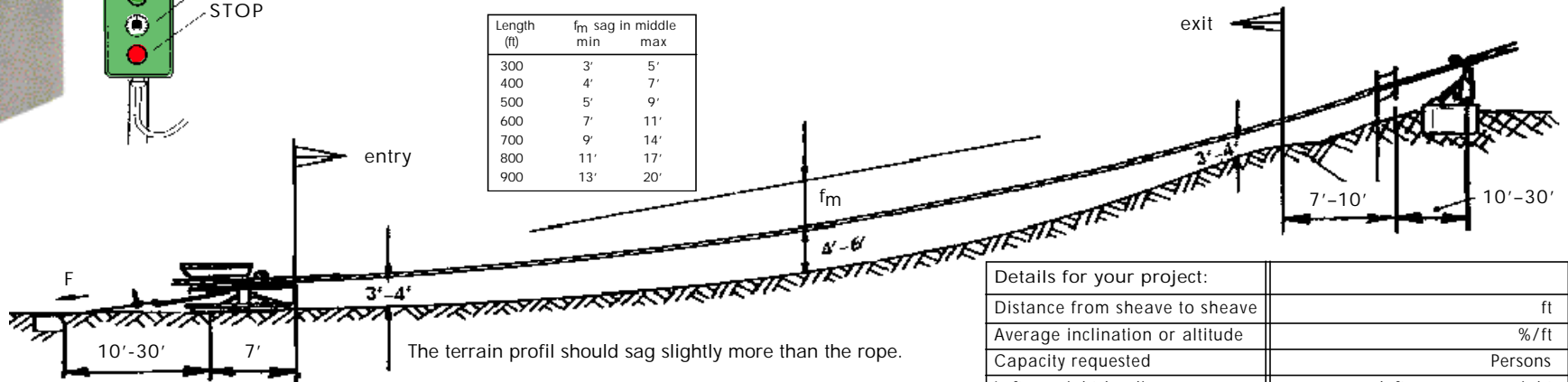
# OPTION



PORTABLE AND PLUGABLE ELECTRIC BOX



| Length (ft) | f <sub>m</sub> sag in middle |     |
|-------------|------------------------------|-----|
|             | min                          | max |
| 300         | 3'                           | 5'  |
| 400         | 4'                           | 7'  |
| 500         | 5'                           | 9'  |
| 600         | 7'                           | 11' |
| 700         | 9'                           | 14' |
| 800         | 11'                          | 17' |
| 900         | 13'                          | 20' |



| Details for your project:                      |            |
|--|------------|
| Distance from sheave to sheave                 | ft         |
| Average inclination or altitude                | %/ft       |
| Capacity requested                             | Persons    |
| Left- or right-loading seen from drive station | left right |

## TUBE-LIFT / COMFORT PLATTER-LIFT

5-50 HP, 440-480 V, 3°, ELECTRONIC SOFT-START OR VARIABLE SPEED BY FREQUENCY CONVERTER (OPTIONAL), VARIABLE HEIGHT, HOT GALVANIZED STEEL CABLE 9 MM, INDEPENDENT SHAFT - GEARBOX, V-BELT DRIVE, BACKSTOP OUTSIDE GEARBOX, COMPLETE HOT GALVANIZED, SUPERVISED SAFETY LINE - 24 V, HANDLES REVOLVING LINKED

## BORER LIFT AG

Industriering 63 CH-4227 Büsserach  
 Phone: +41 61 785 61 11 Fax: +41 61 785 61 12  
 Mail: info@borer-lift.com Internet: www.borer-lift.com